

Machined parts



For more than 45 years, our company has been committed to providing the global distributors and end customers community with innovative, high quality, cost effective machined parts. From our humble beginnings in 1968, the Company has grown to become one of the largest professional machining companies in Spain. With operations in many countries, the Company distributes its machined parts in over 72 countries under some of the most well established brand names in the industry. Worldwide, stockist, distribution professionals and factories now depend upon TRAIID for quality and service.



Machining of TVH® TV6082 aluminium alloy part

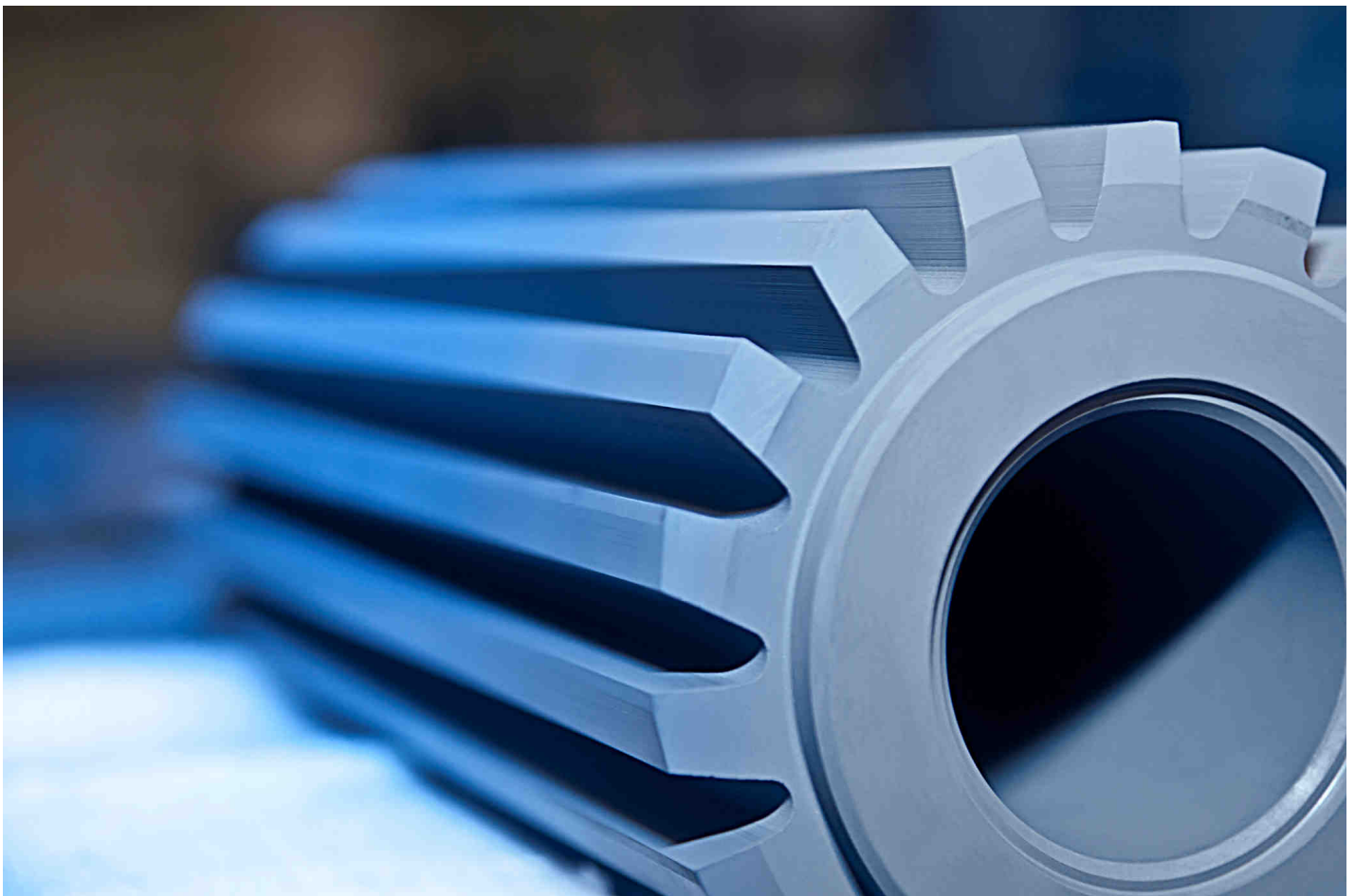


TRAID VILLARROYA manufactures a complete range of different machined parts from its own engineering plastics and non ferrous metals alloys. Sstarting from different formats such as rods, squares, plates or tubes we machine parts for all types of industries and customers. Our materials operate in many varied and often challenging applications. An unwavering commitment has always been maintained to the highest standards of the quality, as well as for the protection of the environment in the communities in which we live and work.



Machined parts in TVH® TV7 bronze

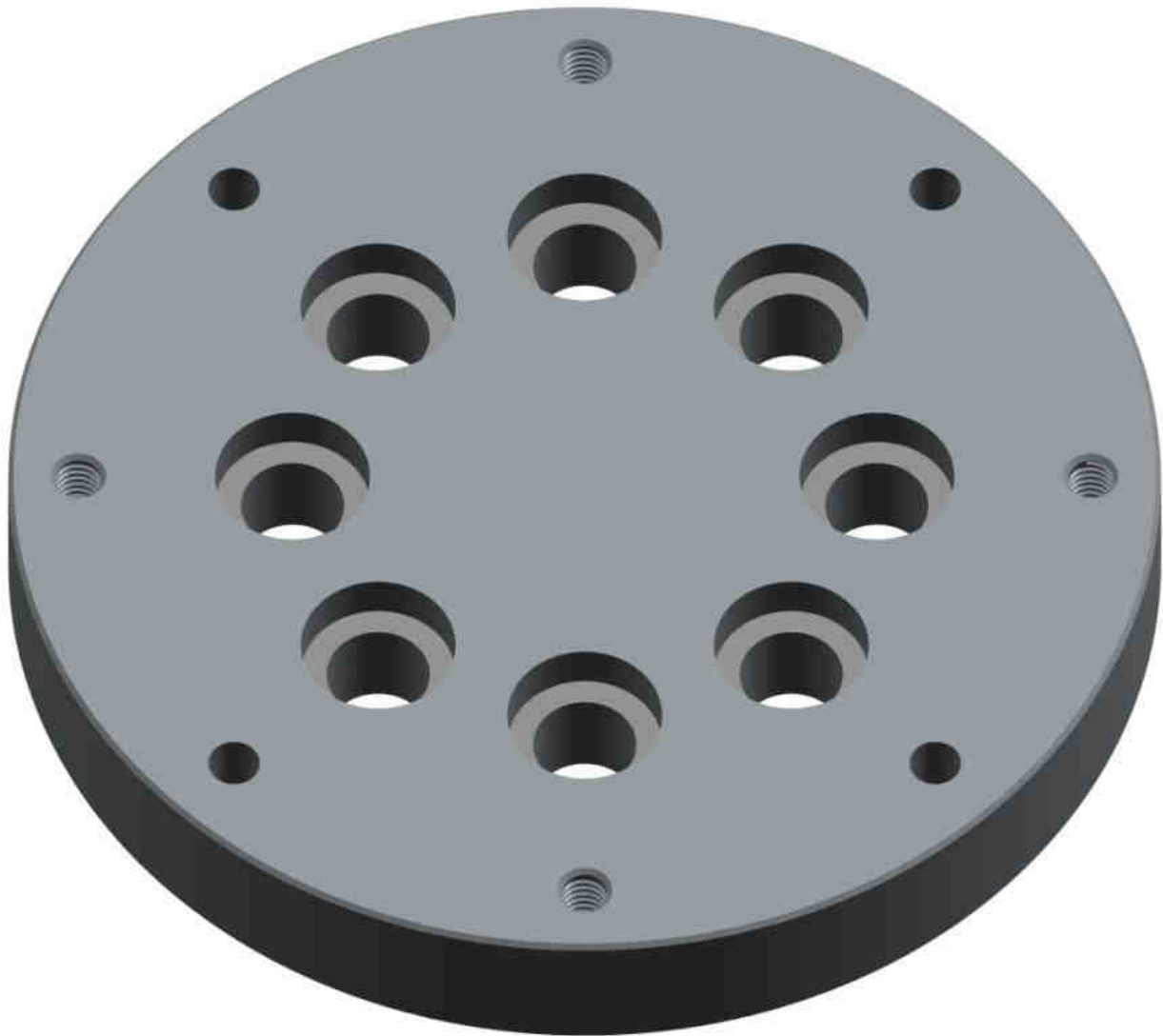
The long-term business success of our products depends on our ability to ensure that our quality remains a top priority for the management and each employee. This idea is our commitment to making sustainable health a reality through innovative technology and services focused on addressing three critical needs: lowering costs, helping our customers and improving quality. We use top quality tools to create the best parts. We pay strict attention to every detail of our operation, so that each company we serve can achieve smooth trouble-free production assembly. Each part we produce is done to meet your requirements with regard to performance, reliability and quality control. In the area of prototype production we verify beforehand the entire control plan, from the procurement of our materials to shipping. We at TRAIID are constantly involved in the issue of quality control. To that end, we study the latest techniques, so that we can propose new and innovative methods whenever the need should arise.



Machined part in TKG® advance material

All our materials are inspected as well as analyzed for determining the perfect composition according to international norms. When you buy our machined parts, you purchase a piece of the highest quality. You also benefit from a long-term relationship with Traid Villarroja Construction Equipment giving you access to all the products and competence required to ensure your machined parts generate maximum profit and growth for your business. The knowledge of having good service, access to the right parts and a wide range of quality attachments is just as important as the price. If not more important. Our parts and products can be bought individually or put together into Customer Support Agreements, which are adaptable to give you the best solution for your needs. With all the products and resources we have at our disposal, we can offer you the very best support. Anywhere, at any time. Our global network guarantees fast deliveries and service wherever you are.

Tell us what you need. Then let us handle the rest.



Machined part in TKG® advance material



Traid Villarroja has developed standardized bushing production processes and unique tooling systems that allow for the efficient and speedy machining of gear bushings for use in the overhaul and rework of corrosion in several gear components. We have experts who are very familiar with the specifications and processing requirements of different bushings and components. We have dedicated lines to ensure processing quality and on-time performance. Rising material costs and uncertain availability have put a lot of strain on customer lead times and costs. An important advantage for us is how we source material, directly from our already produced stocks. The heart of our implementation is standard work. We have developed standard work for all our processes. And we have devoted much time and energy to training on this standard work.





All of our business and production processes are focused on increasing throughput to ensure on-time deliveries and competitive prices while maintaining the highest level of quality possible. We have been able to competitively produce components that have proven too difficult or too expensive for many of our competitors to manufacture. It is very common for our customers to comment that we have simultaneously increased quality and lowered costs. Traid Villarroya has experience in machining both small prototype batches as well as full production batches of thousands of components. Our largest machining customers tend to order a high mix of low volume machined parts. We have become experts in quick setups and quick turn-around of new components.

At Traid we regard information management as one of the most critical components to success in the machining field. It is no longer acceptable, or in many cases even possible, to run a successful precision machine shop without having sophisticated information management techniques. We have focused on information management from the beginning of our company.



The evolution of TRAIID VILLARROYA continues ... After all, we're more than a manufacturer. More than a distributor. We're an essential resource. Our customers' challenges keep changing, and we're helping them adapt every step of the way.

TRAID VILLARROYA Europe
C/Isabel de Sto. Domingo 35
50014 Zaragoza
SPAIN
Tel: +34 976 47 12 11
e-mail: info@traidvillarroya.com

TRAID VILLARROYA America
Prv Santa Ines 464 Casa 8
Las Misiones, Irapuato Guanajuato, Mexico 36567
MEXICO
Tel: +52 462 693 8083
e-mail: masey@traidvillarroya.com

TRAID VILLARROYA Asia sales office
Room 3206, Building nº 3 of Admiral City
Nº 131 Minzu Avenue Nanning
Guangxi, 530028
P.R.CHINA
Tel: +86 (0) 771 559 2620 / 5597901
e-mail: silva@traidvillarroya.com

